

## PRODUCT DESCRIPTION

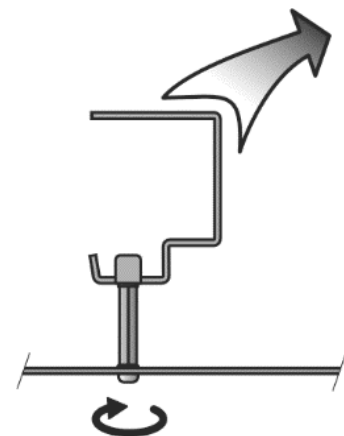
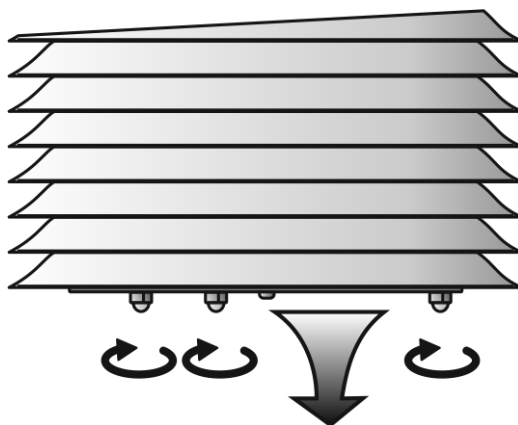
The FP001 holder is intended for mounting the W0810, W3810 and W7810 wireless IoT sensors into the F8800 radiation shield.

## DELIVERY INCLUDES

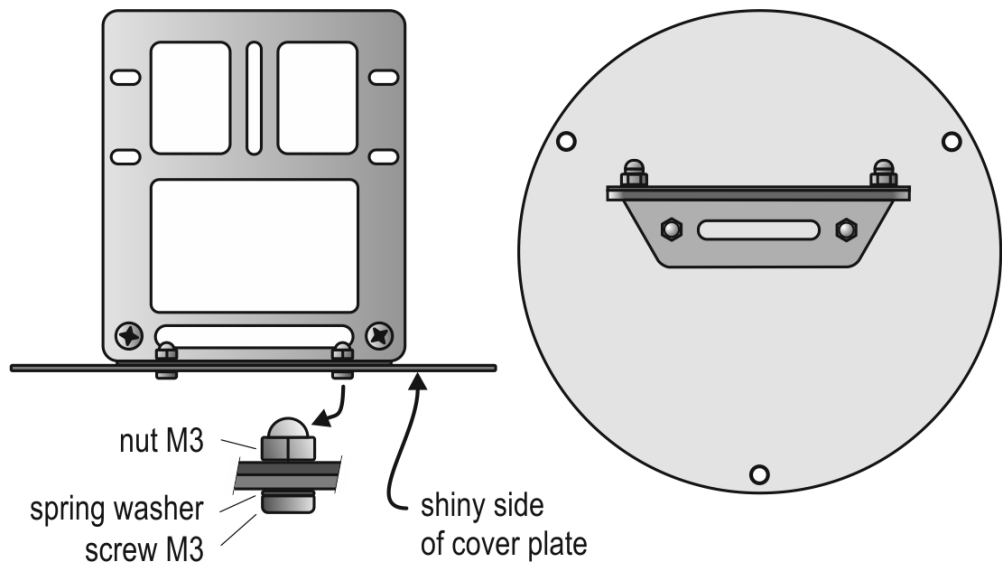
- holder FP001
- M3x5 screw (2 pcs), M3 nut (2 pcs), spring washer (2 pcs)
- M4x10 screw (2 pcs), M4 nut (2 pcs)
- plastic plug

## FP001 HOLDER MOUNTING AND SENSOR INSTALLATION

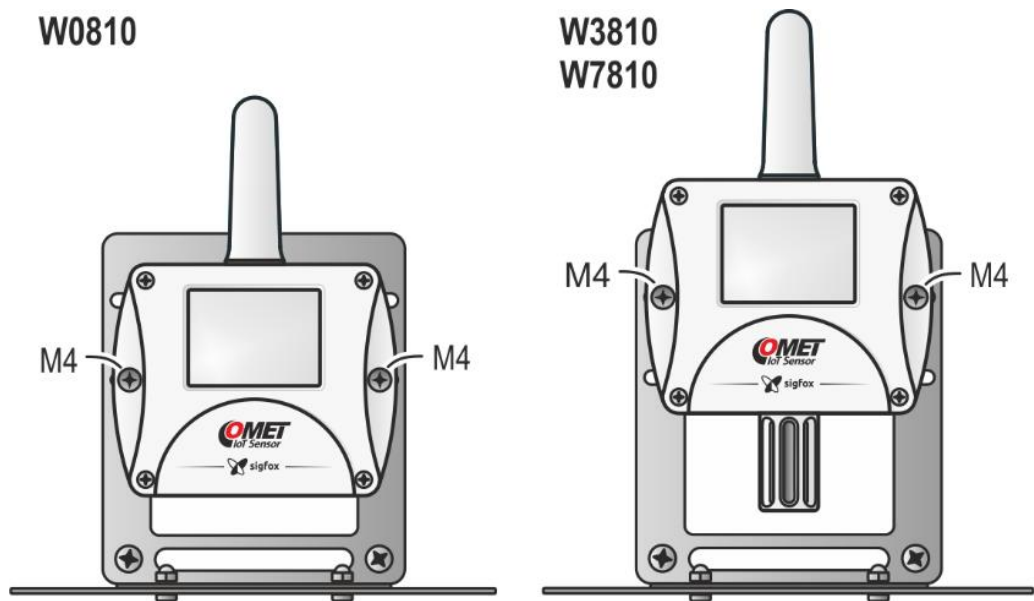
- 1 - loosen the M5 nuts and remove the cover plate from the radiation shield
- 2 - remove the probe holder from the cover plate



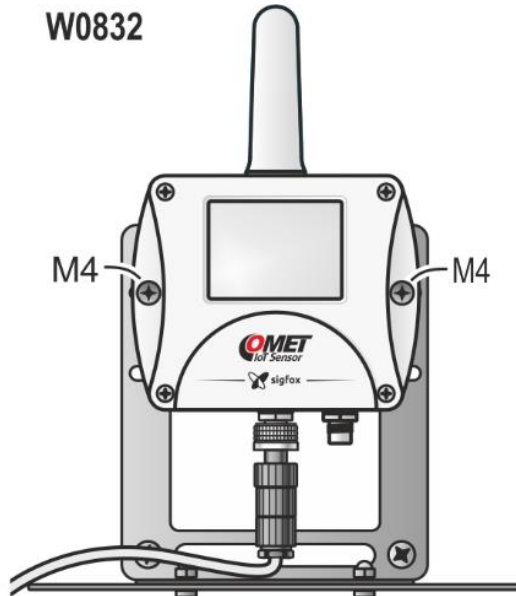
3 - fasten the FP001 holder to the cover plate with two M3 screws in the position as shown



4 – attach the IoT sensor to the FP001 holder with two M4 screws and nuts



W0832

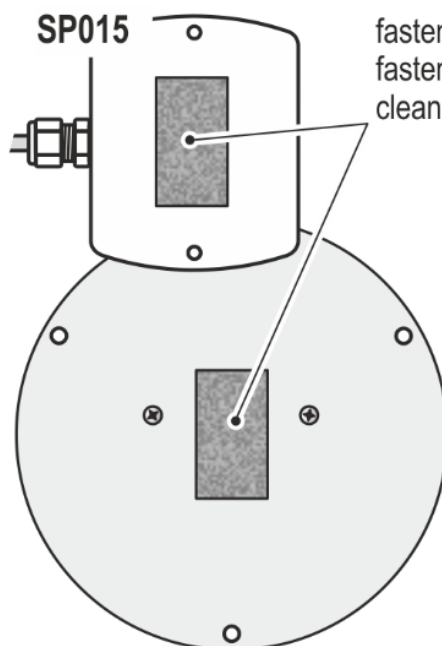


Notice:

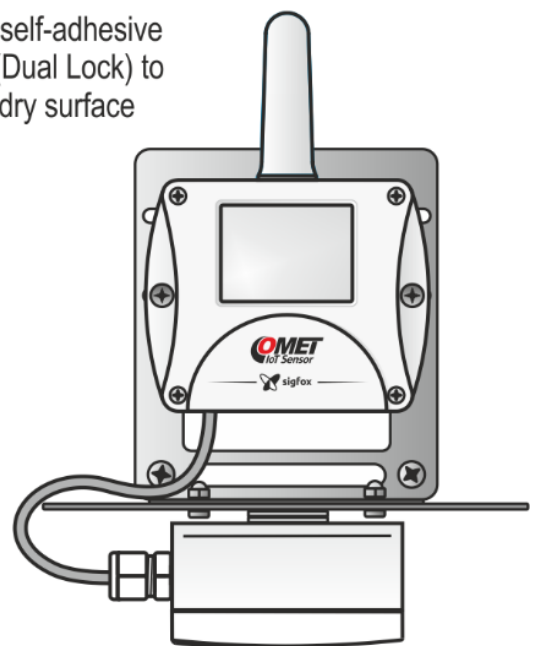
first connect the probe(s) to the IoT sensor and only then attach IoT sensor to the FP001 holder

5 - if the life of IoT sensor internal battery is insufficient for some applications install the SP015 batteries holder

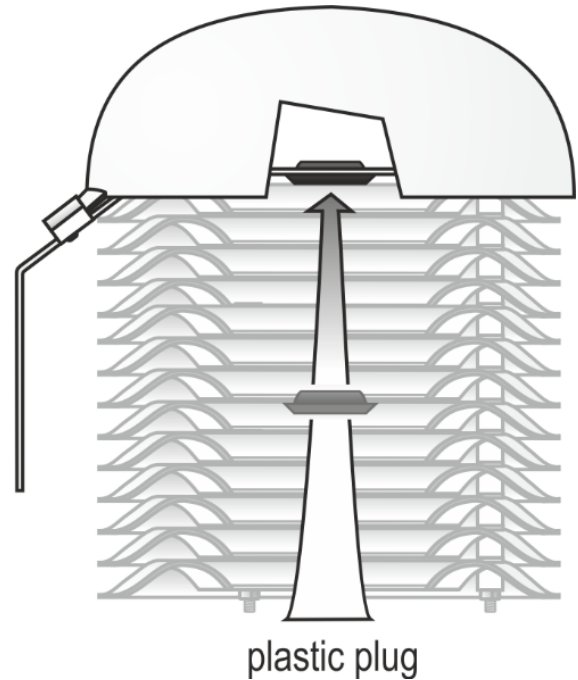
- remove the hexagonal spacers and montage plate from the batteries holder (see the SP015 manual)
- mount the connection adapter of batteries holder to the IoT sensor
- fasten the battery holder to the cover plate of the radiation shield using the self-adhesive fasteners (accessory SP015)



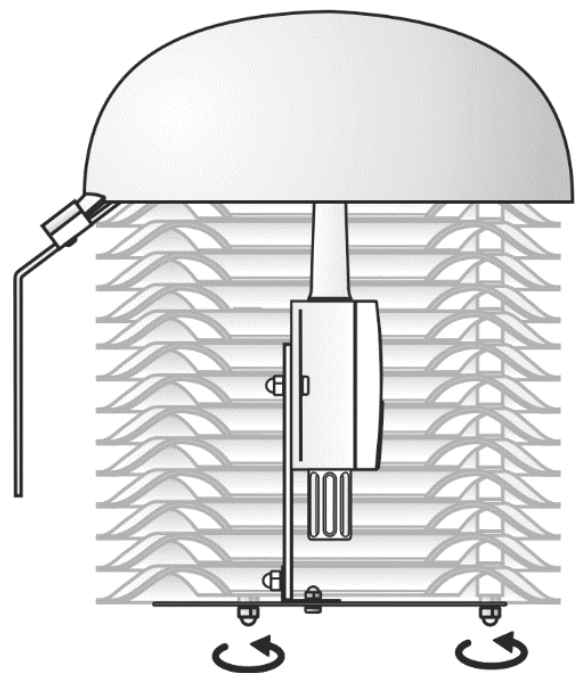
fasten the self-adhesive fasteners (Dual Lock) to clean and dry surface



- 6 - push the plastic plug into the hole in the upper flange



- 7 - place the assembly of cover plate and holder FP001 with the IoT sensor in the radiation shield in the position as shown



© Copyright: COMET SYSTEM, s.r.o.

It is prohibited to copy and make any changes in this manual, without explicit agreement of company COMET SYSTEM, Ltd. All rights reserved.

COMET SYSTEM, Ltd. makes constant development and improvement of their products. Manufacturer reserves the right to make technical changes to the device without previous notice. Misprints reserved.