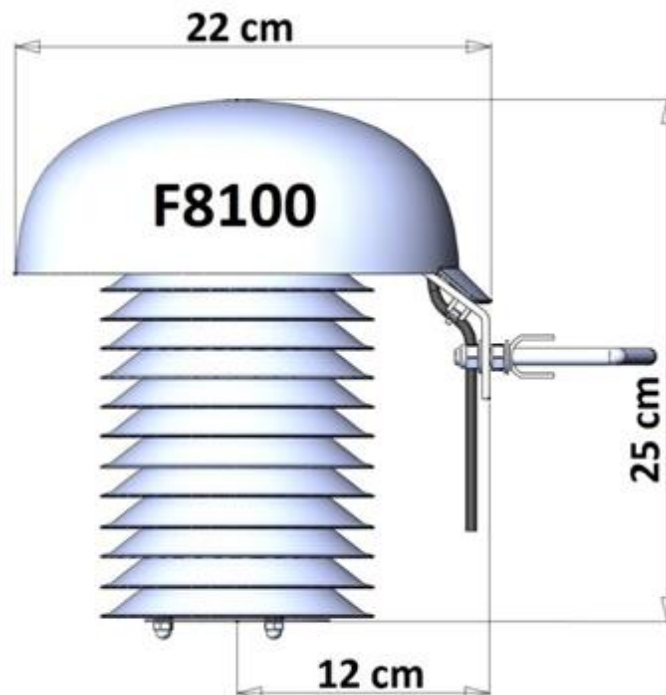


PRODUCT DESCRIPTION

The COMETEO radiation shield F8100 is used to protect the COMET air temperature, relative humidity and pressure sensors from thermal radiation and climatic influences. Mounting flange under the top cover allows easy mounting of the devices including the fixing of the cables.

DIMENSIONS

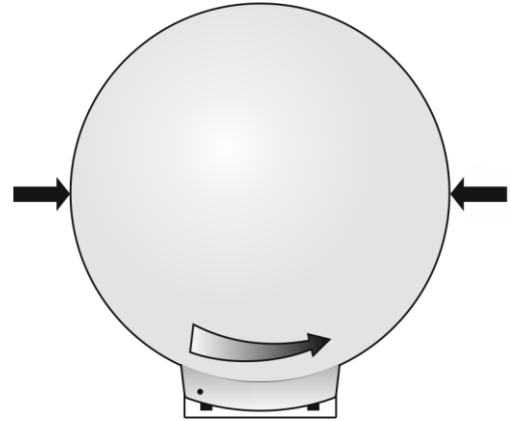


RADIATION SHIELD MOUNTING

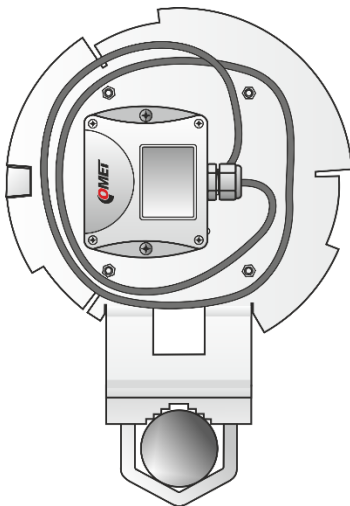
The radiation shield is placed on a mast with a diameter from 20 mm to 45 mm (i.e. satellite holder). The radiation shield is advisable to place at least 50 cm from the nearest wall of the building and at least 1.8 meters above the ground. For professional measurements, it is recommended to place the shield on grassy areas, which in a radius of 10 m have no obstacles (lawn should be continuously maintained).

TRANSMITTERS AND MEASURING PROBES INSTALLATION

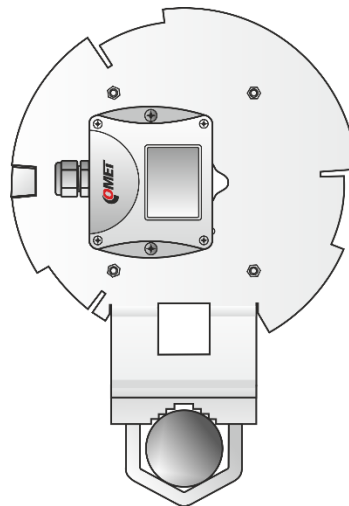
Remove the top cover (press the cover in the direction of the arrows and rotate it 60 degrees counterclockwise - see picture). To install transmitters use the mounting holes in the upper flange of the shield (see pictures below). The probe on the cable place into the interior space by sliding it into flexible holders (the probe should be placed as low as possible to minimize the heating of the temperature and humidity sensors from the top part of the cover exposed to sunlight). The device fix with the attached M4x8 screws, the connection cables fasten using the attached cable ties. In conclusion, fasten the top cover to its turning clockwise.



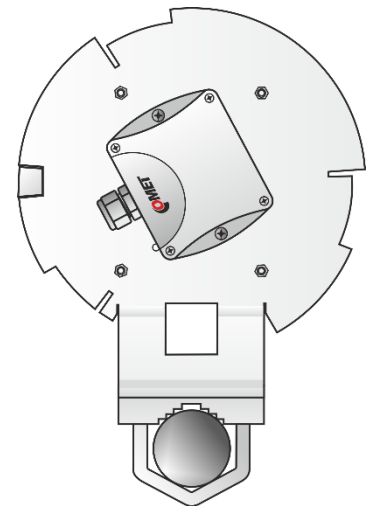
We recommend you at first to insert the device into the radiation shield, then fasten the U-bolt bracket to the mast and after that consolidate the radiation shield using the attached two nuts M8.



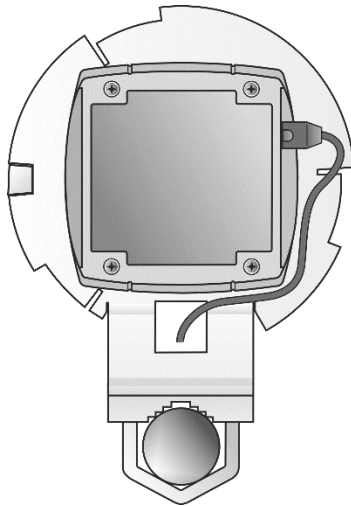
T3319, T3511, T7311
T7411, T7511



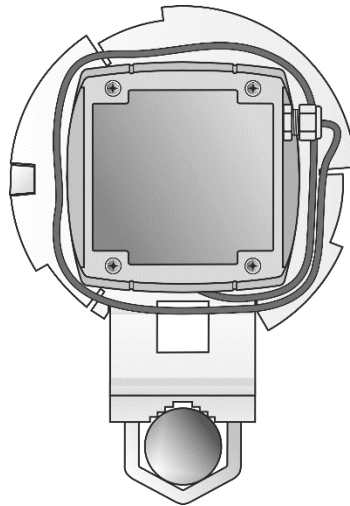
T0213D, T3113D
T3413D



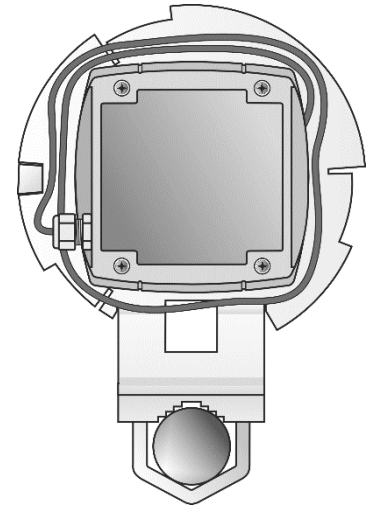
P0132



T7613D

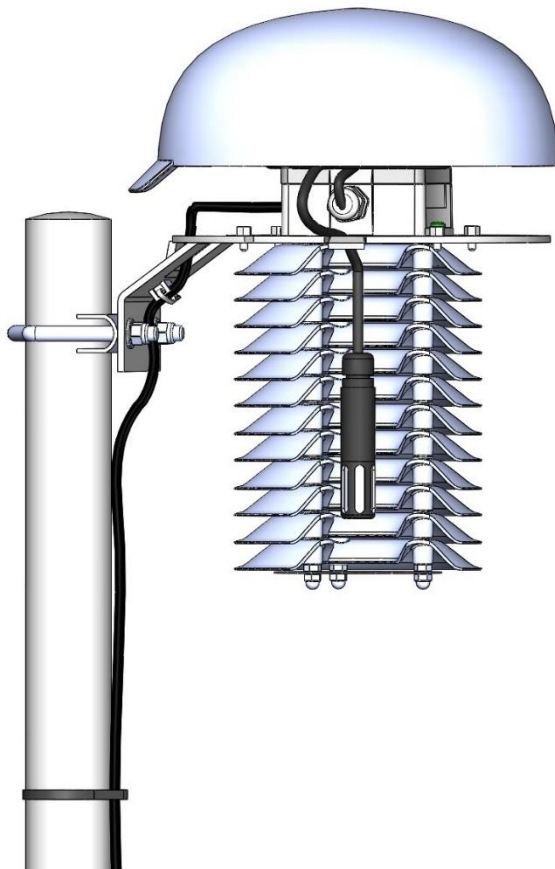


**H3021, H3061
H3331, H3431**



H3531, H7531

The placement of the probe (T7311) into the shield -----



TECHNICAL SPECIFICATION

Temperature operating range:	-30 to +80 °C
Relative humidity operating range:	0 to 100 %RH
Storage temperature range:	-30 to +80 °C
Storage relative humidity range:	0 to 100 %RH (no condensation)
Weight:	approximately 900 g
Material:	ASA - UV stabilized, antistatic

CONTENT OF THE PACKAGE:

- the F8100 shield 1 pc
- the U-bolt bracket 1 pc
- the screw M4x8 4 pcs
- the cable tie 3 pcs
- the nut M8 2 pcs

END OF OPERATION

The radiation shield dispose according to current legislation for dealing with electronic equipment.

TECHNICAL SUPPORT AND SERVICE

Technical support and service is provided by distributor. For contact see warranty certificate. If needed, you can also use the discussion forum at <http://www.forum.cometsystem.com/>.

WARNING

Installation, commissioning and maintenance may only be carried out by personnel with qualification by applicable regulations and standards.

© Copyright: COMET SYSTEM, s.r.o.

It is prohibited to copy and make any changes in this manual, without explicit agreement of company COMET SYSTEM, Ltd. All rights reserved.

COMET SYSTEM, Ltd. makes constant development and improvement of their products. Manufacturer reserves the right to make technical changes to the device without previous notice. Misprints reserved.